

# PageWorks / Pro 20

---

## PARTS MANUAL

---



MINOLTA

PREFACE

1. The part numbers listed in Parts Manual are those which were assigned to the parts making up the machine at the time machine was originally introduced onto the market.
2. Parts whose numbers are preceded by an asterisk in the Index Column on the List Page are parts to be used in only certain market areas. Therefore ,please check the number in the Area column on the List Page and then compare it with the numbers given in the Area Chart on page II to find out which part number is applicable to your own areas  
NOTE: Parts for only certain Market Areas: The part numbers for these parts vary according to market area. In other cases, these parts are used in only restricted areas.
3. The Index Number on the List Page is composed of two numbers and two letters. Generally, only A is used as the first letter of the two letters. However, sometimes B,C,D, varies according to market areas, has two or more part numbers. The second of the two letters represents the modification history of that part.
4. The Area Number is listed in the Area Column for only those parts used in certain market areas. This Area Number represents the ares listed opposite to in the Chart given on Page II . Parts having no Area Number listed in the Area Column can be used in all market areas.
5. In the exploded views in this parts manual parts (Screws & Washes, etc...) which are indicated with a "four-digit" numbers are listed in numerical order in the section "SCREWS AND WASHERS". Please check these "four-digit" numbers with the part numbers ("ten-digit" number) which should be used for ordering the part.
6. All parts numbers consist of "ten-digit" which should all be quoted when ordering a part. The price of parts can be obtained by referring to the "Parts Price List" which is separately issued.
7. All information contained in this parts manual is subject to change.

# PARTS MANUAL

## AREA CHART

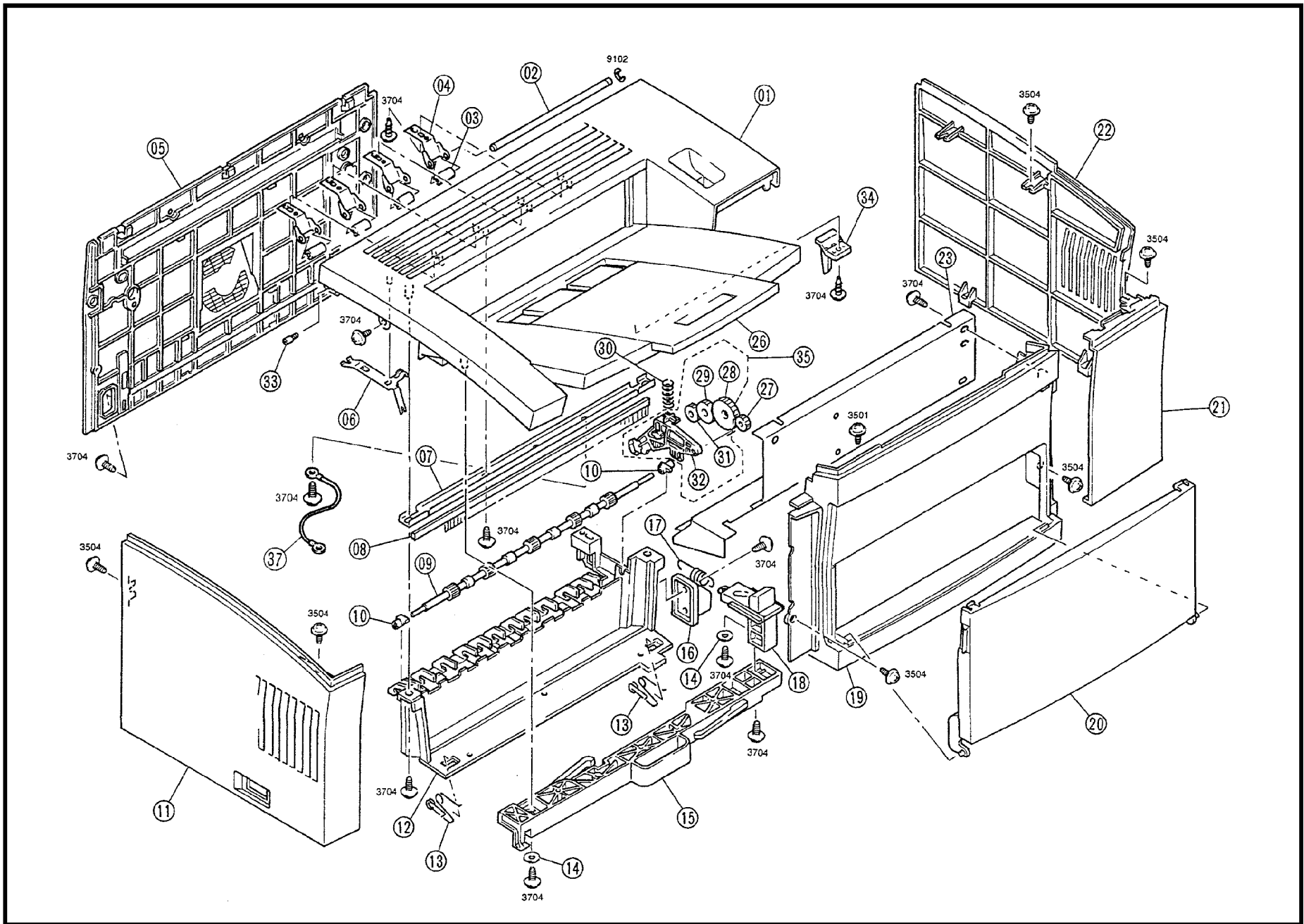
AREA No.	AREA	(JAPAN)	AREA No.	AREA	(JAPAN)
2520	120V				
2612	220/240V				

We recommend that you cross out from your Parts Manuals those parts numbers which do not apply to your area so that no error is made when ordering parts.

THIS PARTS MANUAL IS EFFECTIVE WITH MACHINES SERIALY NUMBERE<sup>XX2891(PRINTE</sup>  
R) AND ONWARDS.

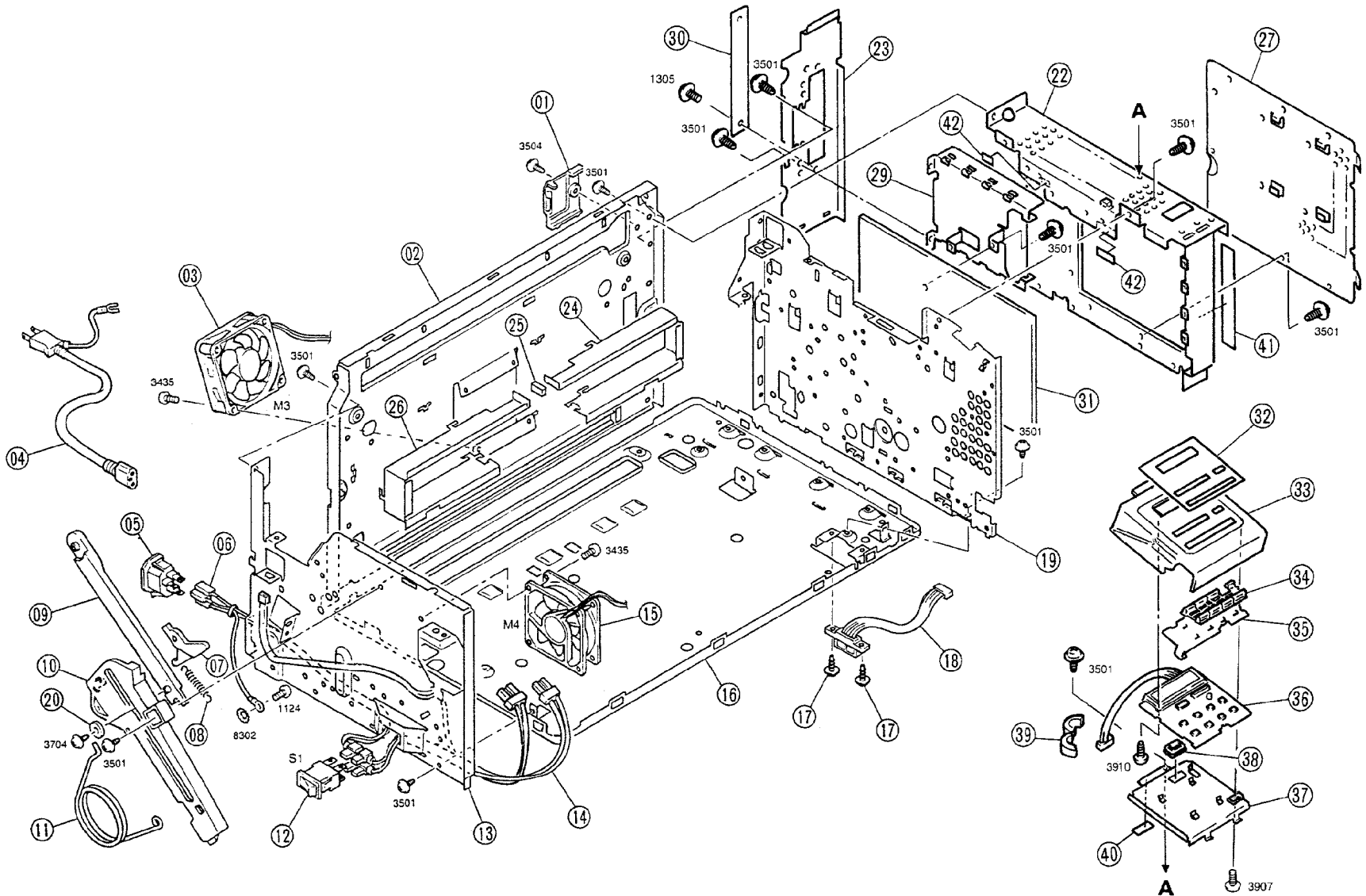
CONTENTS

1. HOUSING .....	1
2. FRAME .....	3
3. PAPER TAKE-UP SECTION I .....	5
4. PAPER TAKE-UP SECTION II .....	7
5. DRIVE UNIT .....	9
6. TRANSPRT SECTION .....	11
7. FUSING UNIT .....	13
8. 2ND / 3RD CASSETTE UNIT .....	15
9. UNIVERSAL CASSETTE .....	17
10. CASSETTE .....	19
11. DPLEX UNIT .....	21
12. WIRING ACCESSORIES AND JIGS .....	23
13. SCREWS AND WASHERS .....	24



**PARTS LIST : 1. HOUSING**

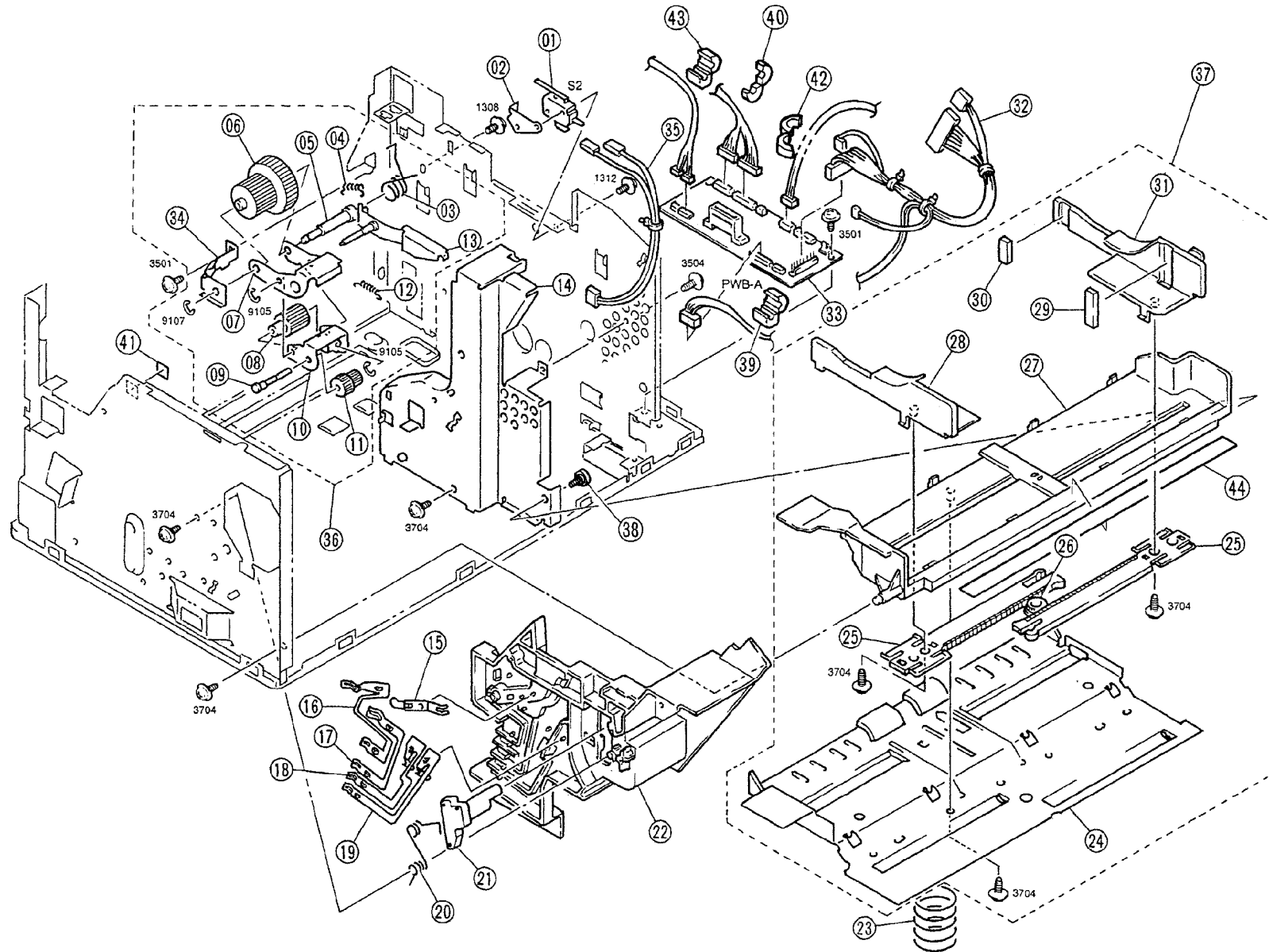
INDEX	ITEM #	PART NAME	(DISCRPTION)	QTY	AREA	INDEX	ITEM #	PART NAME	(DISCRPTION)	QTY	AREA
01AA	0993-1001-02	TOP COVER		1							
02AA	0993-3222-01	SHAFT		1							
03AA	0993-3220-01	ROLL		4							
04AA	0993-3221-01	HOLDER		4							
05AA	0993-1010-03	REAR COVER		1							
06AA	0993-3214-01	GROUND PLATE		1							
07AA	0993-1015-01	REINFORCE PLATE		1							
08AA	0993-3213-01	NEUTRALIZING BRUSH		1							
09AA	0993-3203-01	ROLLER		1							
10AA	0993-3204-01	BUSHING		2							
11AA	0993-1003-01	LEFT COVER		1							
12AA	0993-1020-02	COVER		1							
13AA	0993-1014-01	TORSION SPRING		2							
14AA	1200-1521-02	WASHER		3							
15AA	0993-2017-01	LOCK LEVER		1							
16AA	0993-1016-02	LEVER		1							
17AA	0993-2009-01	TENSION SPRING		1							
18AA	0993-1021-01	LEVER		1							
19AA	0993-1024-02	FRONT COVER		1							
20AA	0993-1005-01	TRAY		1							
*21A	A0993-1039-01	FRONT COVER-RT		1	2520						
*21B	A0993-1029-01	FRONT COVER-RT		1	2612						
22AA	0993-1002-02	RIGHT COVER		1							
23AA	0993-2304-01	COVER		1							
26AA	0993-1006-01	TRAY		1							
27AA	0993-3208-01	GEAR 14T		1							
28AA	0993-3209-01	GEAR 39T		1							
29AA	0993-3210-01	GEAR 26T		1							
30AA	0993-3205-01	PRESSURE SPRING		1							
31AA	0993-3211-01	GEAR 17T		1							
32AA	0993-3206-01	LEVER		1							
33AA	1100-1212-04	SHOULDER SCREW		1							
34AA	0993-1011-01	ACTUATOR		1							
35AA	0993-0754-01	GEAR ASSY		1							
37AA	0993-6823-01	HARNES		1							



**PARTS LIST : 2. FRAME**

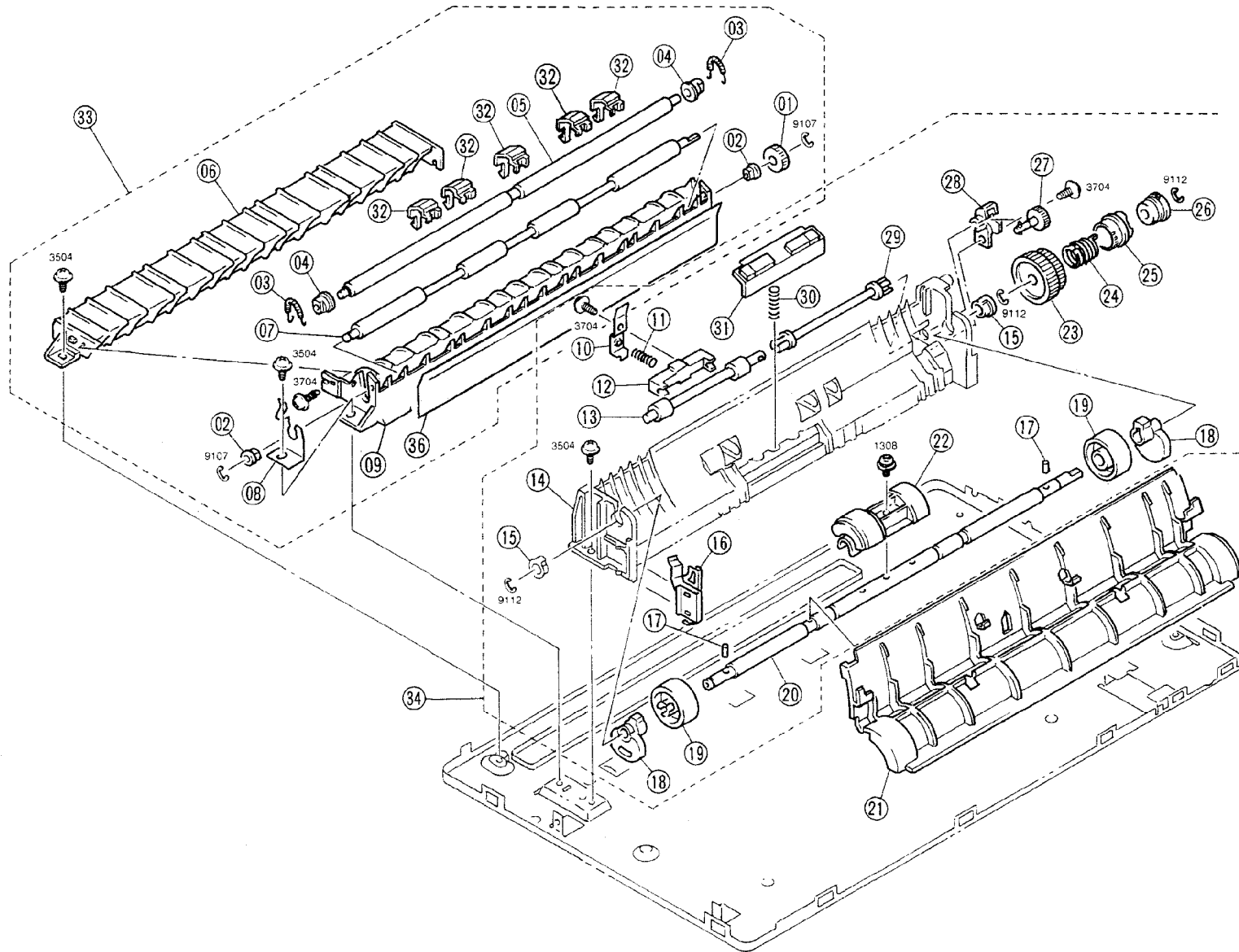
INDEX	ITEM #	PART NAME	(DISCRPTION)	QTY	AREA	INDEX	ITEM #	PART NAME	(DISCRPTION)	QTY	AREA
01AA	0993-1017-01	COVER		1							
02AA	0993-2004-02	REAR FRAME		1							
03AA	0993-6104-01	FAN MOTOR	(M3)	1							
*04A	A9381-4310-31	POWER CORD		1	2520						
*04B	A9381-4310-71	POWER CORD		1	2612						
05AA	9383-5920-13	SOCKET		1							
06AA	0993-6801-01	HARNESS		1							
07AA	0993-2012-01	LEVER		1							
08AA	0993-2013-01	TENSION SPRING		1							
09AA	0993-2014-01	STOPPER		1							
10AA	0993-2016-01	HOLDER		1							
11AA	0993-2015-02	TORSION SPRING		1							
12AA	0993-6303-01	SWITCH	(S1)	1							
13AA	0993-2003-02	LEFT FRAME		1							
14AA	0993-6802-02	HARNESS		1							
15AA	0993-6103-01	FAN MOTOR	(M4)	1							
16AA	0993-2001-02	BASE PLATE		1							
17AA	0978-2067-01	SHOULDER SCREW		2							
18AA	0993-6835-01	HARNESS		1							
19AA	0993-2002-01	RIGHT FRAME		1							
20AA	1200-1521-02	WASHER		1							
22AA	0993-2301-01	SHIELD PLATE		1							
23AA	0993-2302-01	REAR FRAME-RT		1							
24AA	0993-2042-02	DUCT-RT		1							
25AA	0993-2044-01	SEAL		1							
26AA	0993-2043-02	DUCT-LFT		1							
27AA	0993-2331-01	COVER		1							
29AA	0993-2334-01	BRACKET		1							
30AA	0993-2335-01	COVER		1							
31AA	0993-0113-01	PWB-CONTROLLER		1							
32AA	0993-1013-01	PANEL SHEET		1							
33AA	0993-1012-01	PANEL COVER		1							
34AA	0993-1018-01	KEY TOP		1							
35AA	0993-1019-01	SHIELD SHEET		1							
36AA	0993-6017-01	PWB-PANEL		1							
37AA	0993-2311-12	SHIELD PLATE		1							
38AA	1050-4805-01	EDGE COVER		1							
39AA	9326-1410-31	FERRITE CORE		1							
40AA	0993-6755-01	SHEET		1							
41AA	0993-6754-01	SHEET		1							
42AA	0993-6752-01	SHEET		2							





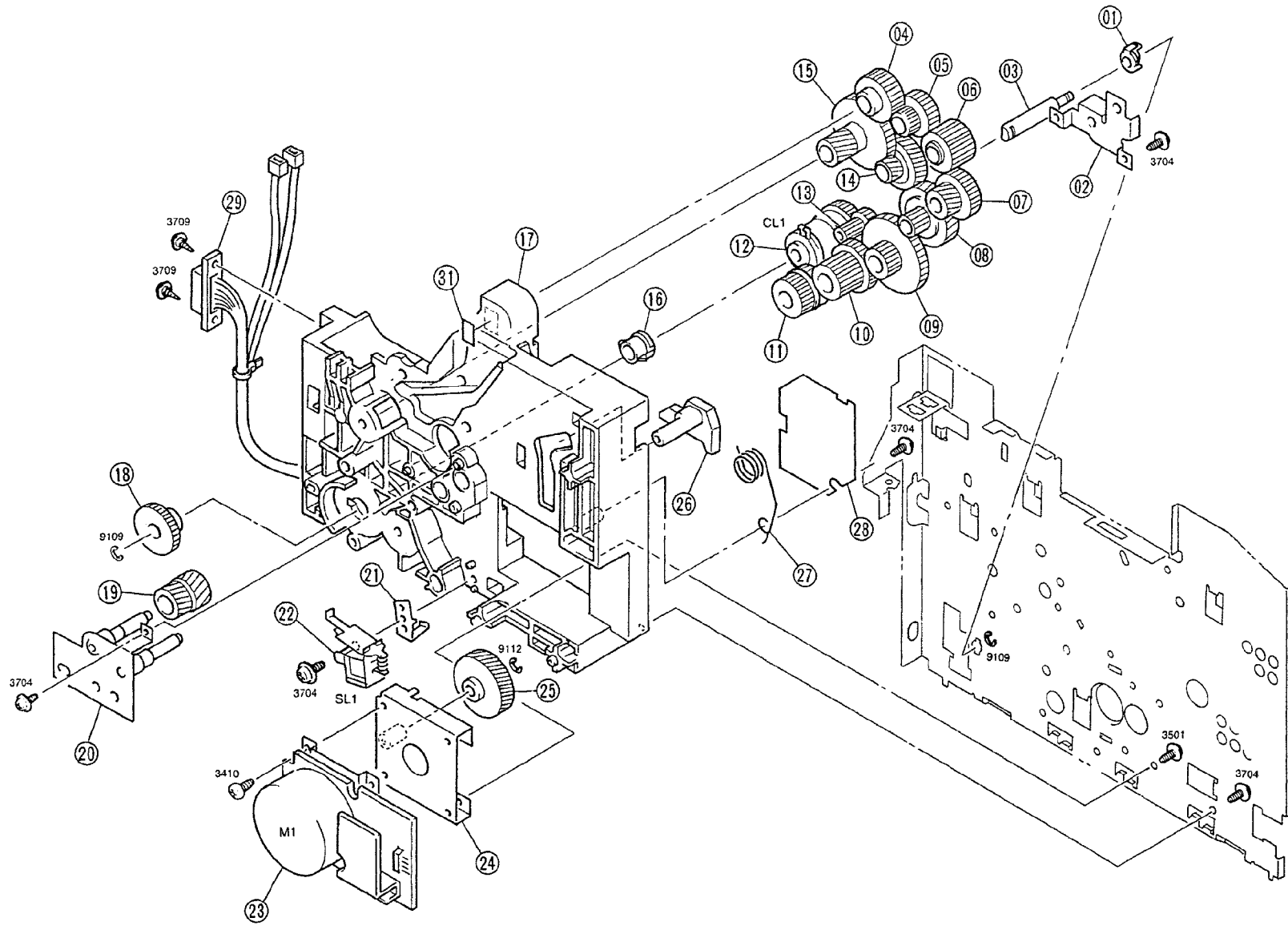
**PARTS LIST : 3. PAPER TAKE-UP SECTION 1**

INDEX	ITEM #	PART NAME	(DISCRPTION)	QTY	AREA	INDEX	ITEM #	PART NAME	(DISCRPTION)	QTY	AREA
01AA	9331-2310-21	MICROSWITCH	(S2)	1		*43A	A9326-1010-31	FERRITE CORE		1	2612
02AA	0957-2320-01	BRACKET		1		44AA	0993-3058-01	LABEL SIZE		1	
03AA	0993-2533-01	TORSION SPRING		1							
04AA	0993-2531-02	TENSION SPRING		1							
05AA	0993-2518-01	STUD		1							
06AA	0993-2517-01	GEAR 29/60T		1							
07AA	0993-2525-01	PLATE		1							
08AA	0993-2516-01	GEAR 24T		1							
09AA	0993-2538-01	STUD		1							
10AA	0993-2537-01	PLATE		1							
11AA	0993-2540-01	GEAR 18/23T		1							
12AA	0993-2539-01	TENSION SPRING		1							
13AA	0993-0203-13	AXLE PLATE		1							
14AA	0993-2005-01	FRAME		1							
15AA	0993-2022-01	TERMINAL		1							
16AA	0993-2021-01	TERMINAL		1							
17AA	0993-2024-01	TERMINAL		1							
18AA	0993-2025-01	TERMINAL		1							
19AA	0993-2023-01	TERMINAL		1							
20AA	0993-2034-02	TORSION SPRING		1							
21AA	0993-2026-01	GUIDE		1							
22AA	0993-2020-02	GUIDE		1							
23AA	0993-3016-01	PRESSURE SPRING		1							
24AA	0993-0752-01	LIFTING PLATE		1							
25AA	0993-3036-02	RACK GEAR		2							
26AA	0957-3104-01	GEAR 14T		1							
27AA	0993-3003-03	GUIDE		1							
28AA	0993-3030-02	GUIDE-LFT		1							
29AA	0993-3033-01	REGULATOR		1							
30AA	0993-3032-01	REGULATOR		1							
31AA	0993-3029-02	GUIDE-RT		1							
32AA	0993-6805-02	HARNESS		1							
33AA	0993-0114-01	PW BOARD-A	(PWB-A)	1							
34AA	0993-2530-01	HOLD PLATE		1							
35AA	0993-6818-01	HARNESS		1							
36AA	0993-0755-02	DOCKING PLATE ASSY		1							
37AA	0993-0361-02	PAPER GUIDE ASSY		1							
38AA	4157-3615-01	SHOULDER SCREW		1							
39AA	9326-1010-31	FERRITE CORE		1							
*40A	A9326-1410-31	FERRITE CORE		1	2612						
41AA	1052-7257-01	LABEL YELLOW		1							
*42A	A9326-1410-81	FERRITE CORE		1	2612						



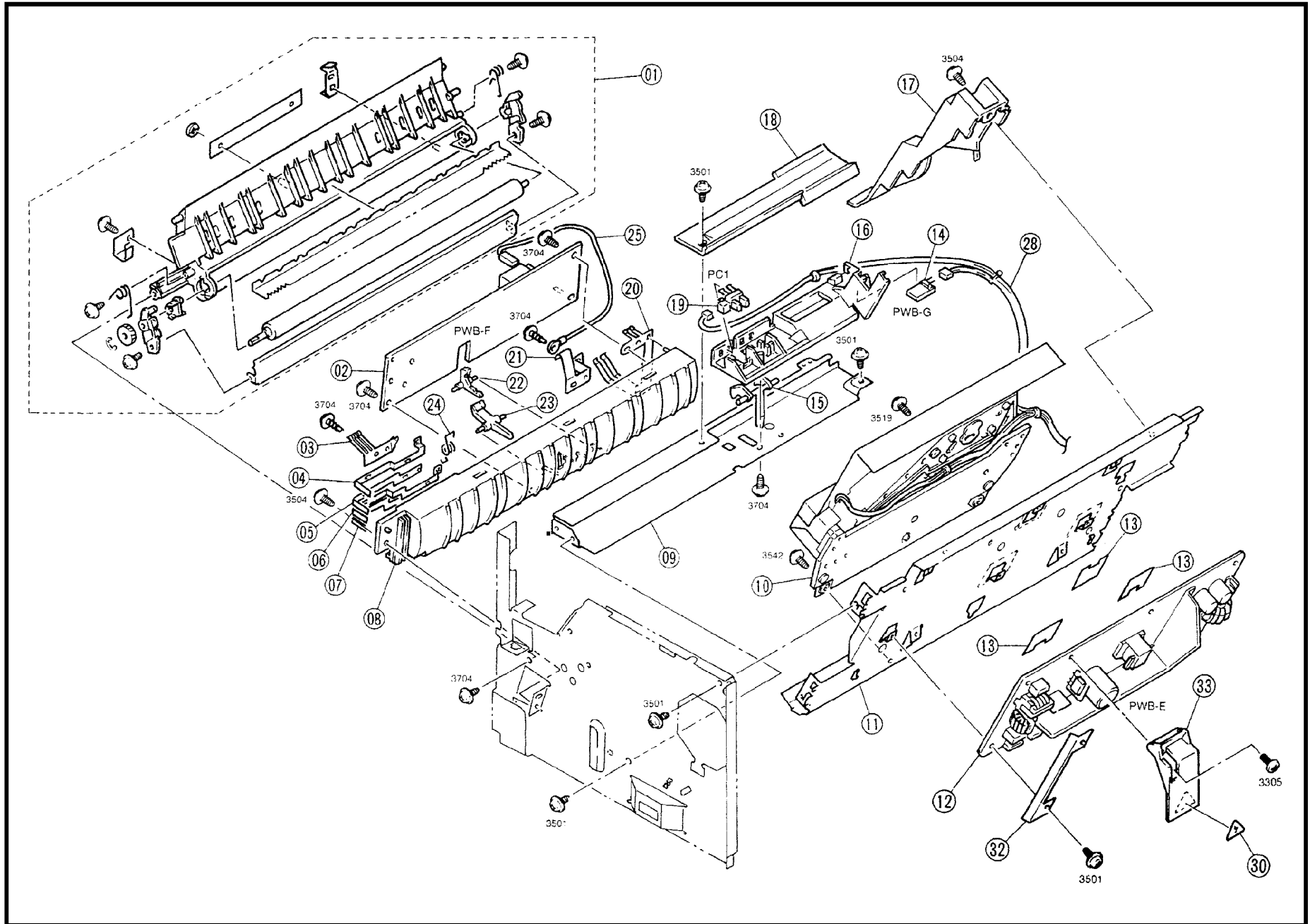
**PARTS LIST : 4. PAPER TAKE-UP SECTION 2**

INDEX	ITEM #	PART NAME	(DISCRIPTION)	QTY	AREA	INDEX	ITEM #	PART NAME	(DISCRIPTION)	QTY	AREA
01AA	0993-3510-01	GEAR 25T		1							
02AA	0993-3520-01	BUSHING		2							
03AA	0993-3518-01	TENSION SPRING		2							
04AA	0993-3511-01	BUSHING		2							
05AA	0993-3508-01	ROLLER		1							
06AA	0993-3504-01	GUIDE		1							
07AA	0993-3509-01	ROLLER		1							
08AA	0993-3512-01	GROUND PLATE		1							
09AA	0993-3503-01	GUIDE		1							
10AA	0993-3035-01	SET PLATE		1							
11AA	0993-3018-01	PRESSURE SPRING		1							
12AA	0993-3023-01	SUPPORT		1							
13AA	0993-3002-01	ROLLER		1							
14AA	0993-3028-02	GUIDE		1							
15AA	0993-3009-01	BUSHING		2							
16AA	0993-3024-01	PLATE SPRING		1							
17AA	0957-3040-01	PIN		2							
18AA	0993-3008-01	CAM		2							
19AA	0993-3006-01	ROLL		2							
20AA	0993-3020-02	SHAFT		1							
21AA	0993-3501-05	GUIDE		1							
22AA	0993-3001-01	ROLLER	PAPER TAKE-UP	1							
23AA	0993-3010-01	GEAR 45/47T		1							
24AA	0993-3039-01	CLUTCH SPRING		1							
25AA	0957-3015-01	RATCHET		1							
26AA	0993-3022-01	BOSS		1							
27AA	0993-3014-02	GEAR 20T		1							
28AA	0993-3013-01	BUSHING		1							
29AA	0993-3021-02	JOINT		1							
30AA	0993-3017-02	PRESSURE SPRING		1							
31AA	0993-0751-01	SEPARATOR		1							
32AA	0993-3521-01	COVER		5							
33AA	0993-0411-01	PAPER TRANSPORT UNI		1							
34AA	0993-0401-02	PAPER TAKE-UP UNIT		1							
36AA	0993-3523-01	SHEET		1							



**PARTS LIST : 5. DRIVE UNIT**

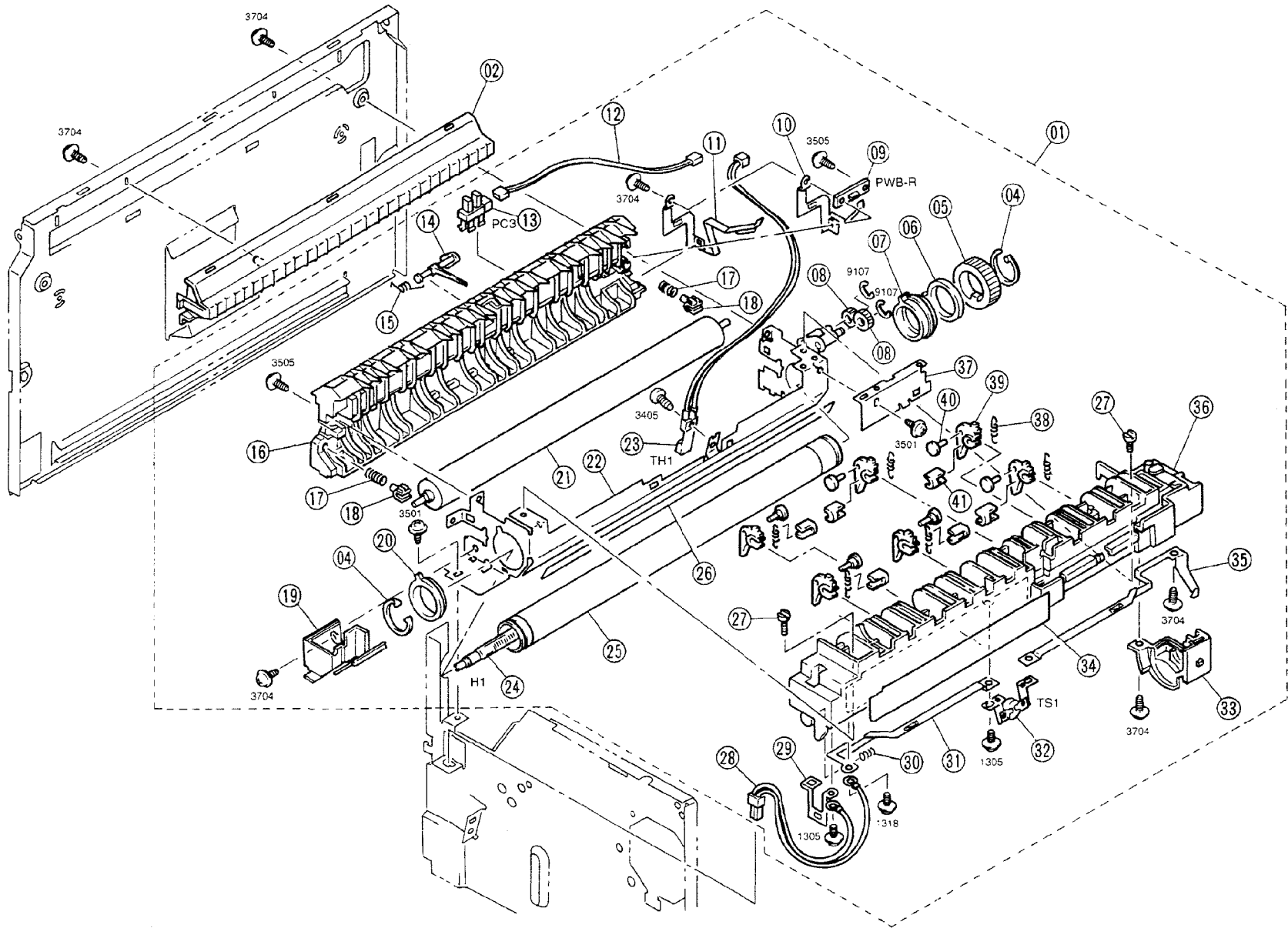
INDEX	ITEM #	PART NAME	(DISCRIPTION)	QTY	AREA	INDEX	ITEM #	PART NAME	(DISCRIPTION)	QTY	AREA
01AA	0993-2523-01	BUSHING		1							
02AA	0993-2521-01	COVER		1							
03AA	0993-2529-01	STUD		1							
04AA	0993-2515-01	GEAR 38T		1							
05AA	0993-2519-01	GEAR 22/31T		1							
06AA	0993-2508-01	GEAR 33T		1							
07AA	0993-2547-01	GEAR 18/39T		1							
08AA	0993-2503-01	GEAR 17/75T		1							
09AA	0993-2510-01	GEAR 27/63T		1							
10AA	0993-2511-01	GEAR 33/34T		1							
11AA	0993-2514-01	GEAR 25/31T		1							
12AA	0993-6205-01	CLUTCH	(CL1)	1							
13AA	0993-2512-01	GEAR 15/21T		1							
14AA	0993-2504-01	GEAR 16/70T		1							
15AA	0993-2546-01	GEAR 23/60T		1							
16AA	0993-2524-01	BUSHING		1							
17AA	0993-2501-13	COVER		1							
18AA	0993-2513-01	GEAR 44T		1							
19AA	0993-2507-01	GEAR 19/20T		1							
20AA	0993-0202-01	BRACKET		1							
21AA	0993-2536-01	GROUND PLATE		1							
22AA	0993-6204-02	SOLENOID	(SL1)	1							
23AA	0993-6101-01	MOTOR	(M1)	1							
24AA	0993-0201-01	BRACKET		1							
25AA	0993-0151-01	GEAR 77T		1							
26AA	0993-2026-01	GUIDE		1							
27AA	0993-2035-01	TORSION SPRING		1							
28AA	0993-2040-01	BRACKET		1							
29AA	0993-6808-02	HARNESS		1							
31AA	1052-7257-01	LABEL YELLOW		1							



**PARTS LIST : 6. TRANSPORT SECTION**

INDEX	ITEM #	PART NAME	(DISCRIPTION)	QTY	AREA	INDEX	ITEM #	PART NAME	(DISCRIPTION)	QTY	AREA
01AA	0993-0331-04	TRANSFER UNIT		1							
02AA	0993-6208-01	PWB-HV	(PWB-F)	1							
03AA	0993-3513-01	TERMINAL		1							
04AA	0993-3514-01	TERMINAL		1							
05AA	0993-3515-01	TERMINAL		1							
06AA	0993-3516-01	TERMINAL		1							
07AA	0993-3517-01	TERMINAL		1							
08AA	0993-3502-01	GUIDE		1							
09AA	0993-2038-01	BRACKET		1							
*10A	A0993-0539-01	PRINT HEAD UNIT		1	2520						
*10B	A0993-0537-01	PRINT HEAD UNIT		1	2612						
11AA	0993-2018-01	MOUNTING PLATE		1							
*12A	A0993-6206-01	PWB-PU	(PWB-E)	1	2520						
*12B	A0993-6207-01	PWB-PU(WITH IC)	(PWB-E)	1	2612						
13AA	0993-2041-01	SHEET		3							
14AA	0993-0107-01	PW BOARD-G(WITH IC)	(PWB-G)	1							
15AA	0993-3027-01	ACTUATOR		1							
16AA	0993-2030-01	HOLDER		1							
17AA	0993-2033-01	COVER		1							
18AA	0993-2930-03	COVER		1							
19AA	9335-1410-31	PHOTO INTERRUPTER	(PC1)	1							
20AA	0993-4111-01	GROUND PLATE		1							
21AA	0993-4115-01	TERMINAL		1							
22AA	0993-3506-12	ACTUATOR		1							
23AA	0993-3505-02	ACTUATOR		1							
24AA	0993-3507-01	TORSION SPRING		1							
25AA	0993-6817-01	HARNESS		1							
28AA	0993-6820-02	HARNESS		1							
*30A	A0953-7409-01	LABEL		1	2520						
32AA	0993-2309-01	COVER		1							
*33A	A0993-2308-01	COVER		1	2520						





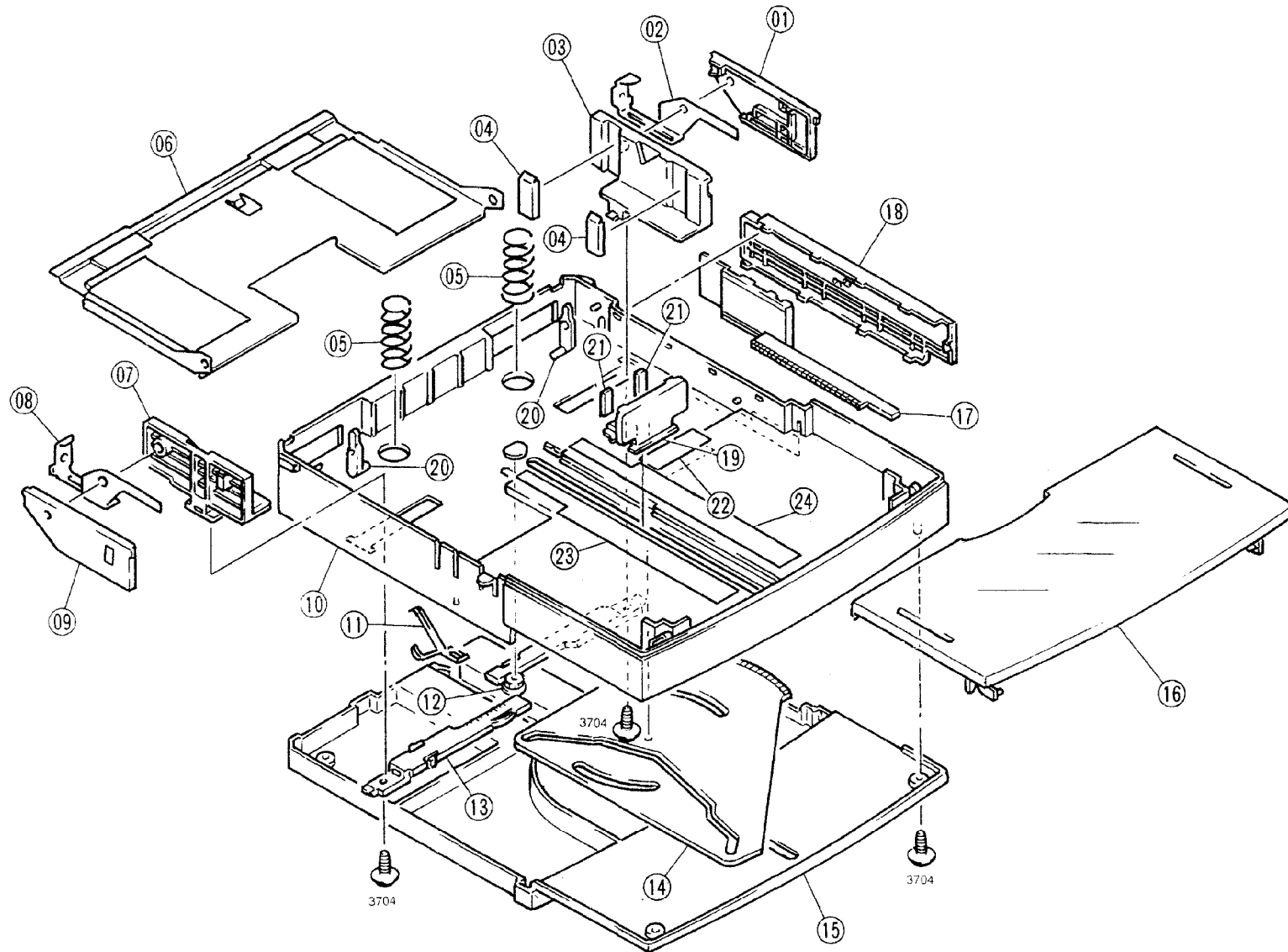
**PARTS LIST : 7. FUSING UNIT**

INDEX	ITEM #	PART NAME	(DISCRPTION)	QTY	AREA	INDEX	ITEM #	PART NAME	(DISCRPTION)	QTY	AREA
*01A	A0993-0343-04	FUSING UNIT		1	2520						
*01B	A0993-0345-04	FUSING UNIT		1	2612						
02AA	0993-3216-02	GUIDE		1							
04AA	0993-5529-01	C-RING		2							
05AA	0993-5512-01	GEAR 39T		1							
06AA	0993-5537-12	BUSHING		1							
07AA	0993-5533-01	BUSHING		1							
08AA	0993-5524-01	GEAR 15T		2							
09AA	0993-0105-01	PW BOARD-R(NO IC)	(PWB-R)	1							
10AA	0993-5543-01	TERMINAL		1							
11AA	0993-5532-13	TERMINAL		1							
12AA	0993-6809-01	HARNESS		1							
13AA	9335-1410-31	PHOTO INTERRUPTER	(PC3)	1							
14AA	0993-5516-01	ACTUATOR		1							
15AA	0972-5519-01	TORSION SPRING		1							
16AA	0993-5505-15	FRAME-RR		1							
17AA	0993-5521-01	PRESSURE SPRING		2							
18AA	0993-5535-01	BUSHING		2							
19AA	0993-5520-01	COVER		1							
20AA	0993-5534-01	BUSHING		1							
21AA	0993-5502-01	FUSING ROLLER-LWR		1							
22AA	0993-5504-01	FRAME-FNT		1							
23AA	0993-6702-01	THERMISTOR	(TH1)	1							
*24A	A0993-6502-01	TUBE LAMP	(H1)	1	2520						
*24B	A0993-6503-01	TUBE LAMP	(H1)	1	2612						
25AA	0993-5501-01	FUSING ROLLER-UPR		1							
26AA	0993-5522-01	SHEET		1							
27AA	0993-5538-01	SHOULDER SCREW		2							
28AA	0993-6804-01	HARNESS		1							
29AA	0993-5514-01	TERMINAL		1							
30AA	0993-5530-01	PRESSURE SPRING		1							
31AA	0993-5515-01	TERMINAL		1							
32AA	0978-6701-02	THERMOSTAT	(TS1)	1							
33AA	0993-5519-01	COVER-RT		1							
34AA	0993-5550-01	SHEET		1							
35AA	0993-5513-01	TERMINAL		1							
36AA	0993-5507-02	HOLDER		1							
37AA	0993-5536-01	REINFORCE PLATE		1							
38AA	0993-5523-01	TENSION SPRING		6							
39AA	0993-5518-01	SEPARATOR		6							
40AA	0957-5527-02	SEPARATOR ROLL		6							
41AA	0993-5542-02	STOPPER		6							



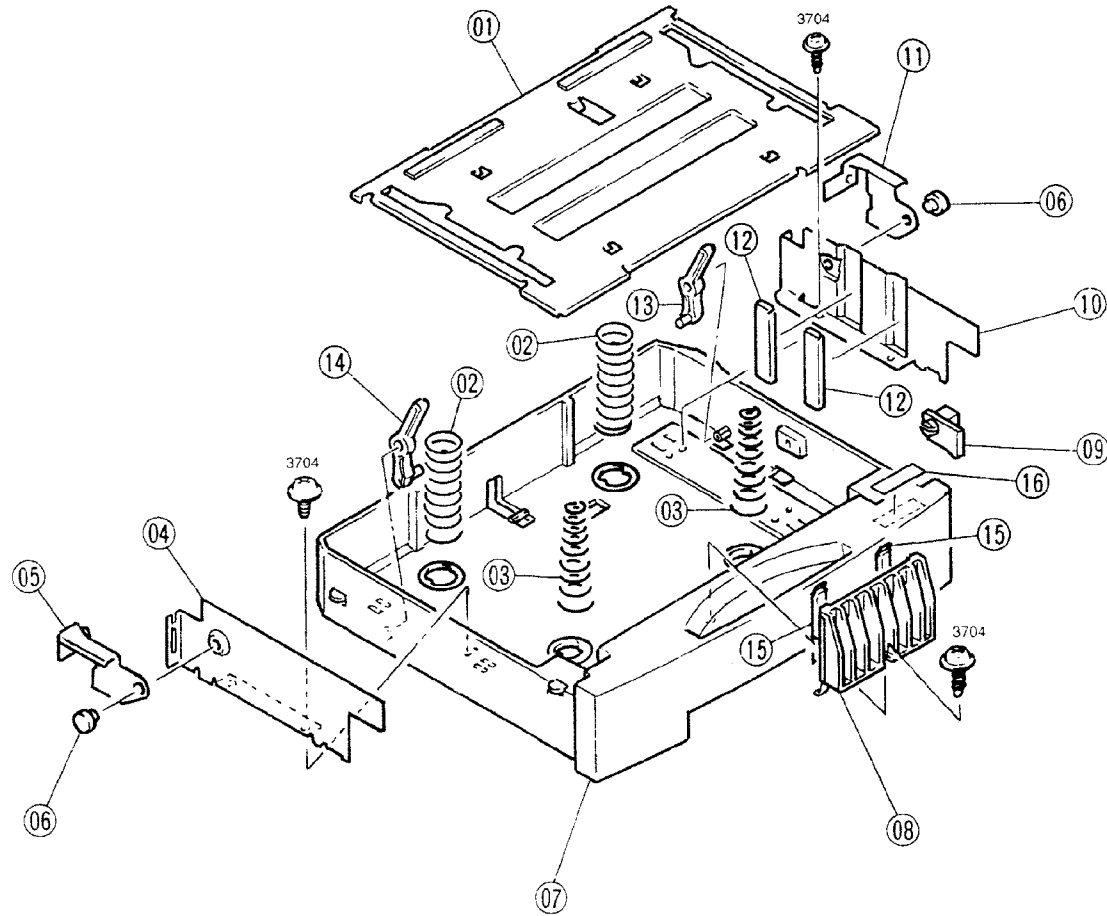
**PARTS LIST : 8. 2ND / 3RD BIN UNIT**

INDEX	ITEM #	PART NAME	(DISCRPTION)	QTY	AREA	INDEX	ITEM #	PART NAME	(DISCRPTION)	QTY	AREA
01AA	4156-3801-03	BASE		1							
02AA	4156-3805-02	ACTUATOR		1							
03AA	0933-3840-02	ROLL		2							
04AA	4156-3808-02	SHAFT		1							
05AA	4156-3807-12	MOUNT		1							
06AA	0933-3839-02	PRESSURE SPRING		2							
07AA	4156-3820-01	COVER		1							
08AA	4156-3806-01	GUIDE		1							
09AA	4156-3826-01	RUBBER FOOT		4							
10AA	4156-3802-01	REINFORCE PLATE		1							
11AA	4156-3810-01	BUSHING		1							
12AA	4156-3804-02	ROLLER		1							
13AA	4156-3803-13	SHAFT		1							
14AA	4156-3825-01	ROLLER		2							
15AA	0933-0151-01	ROLLER		3							
17AA	4156-0201-01	FRAME	2ND BIN	1							
17BA	4156-0202-01	FRAME	3RD BIN	1							
18AA	4156-3817-14	ACTUATOR		2							
19AA	4156-0102-01	PW BOARD-C	(PWB-C)	1							
20AA	0928-3018-23	COLLAR		1							
21AA	0933-3834-02	CLUTCH SPRING		1							
22AA	0928-3017-02	RATCHET		1							
23AA	4156-3814-01	GEAR 34T		1							
24AA	4156-3823-01	GROUND PLATE		1							
25AA	4156-3818-01	GEAR 24T	2ND BIN	3							
26AA	4156-3815-01	GEAR 17T		1							
27AA	9321-2310-32	SOLENOID	(SL2/3)	1							
28AA	4156-3813-01	GEAR 30/36T		1							
29AA	4156-3838-01	BUSHING		2							
30AA	0978-2067-01	SHOULDER SCREW		2							
31AA	4156-3828-01	REINFORCE PLATE		1							
32AA	4156-6802-01	HARNESS	2ND BIN	1							
33AA	4156-3830-01	PRESSURE SPRING		4							
34AA	41563831-01	COVER		1							
35AA	4156-3834-01	SEAL		2							
37AA	0993-6756-01	SHEET		1							



**PARTS LIST : 9. UNIVERSAL CASSETTE UNIT**

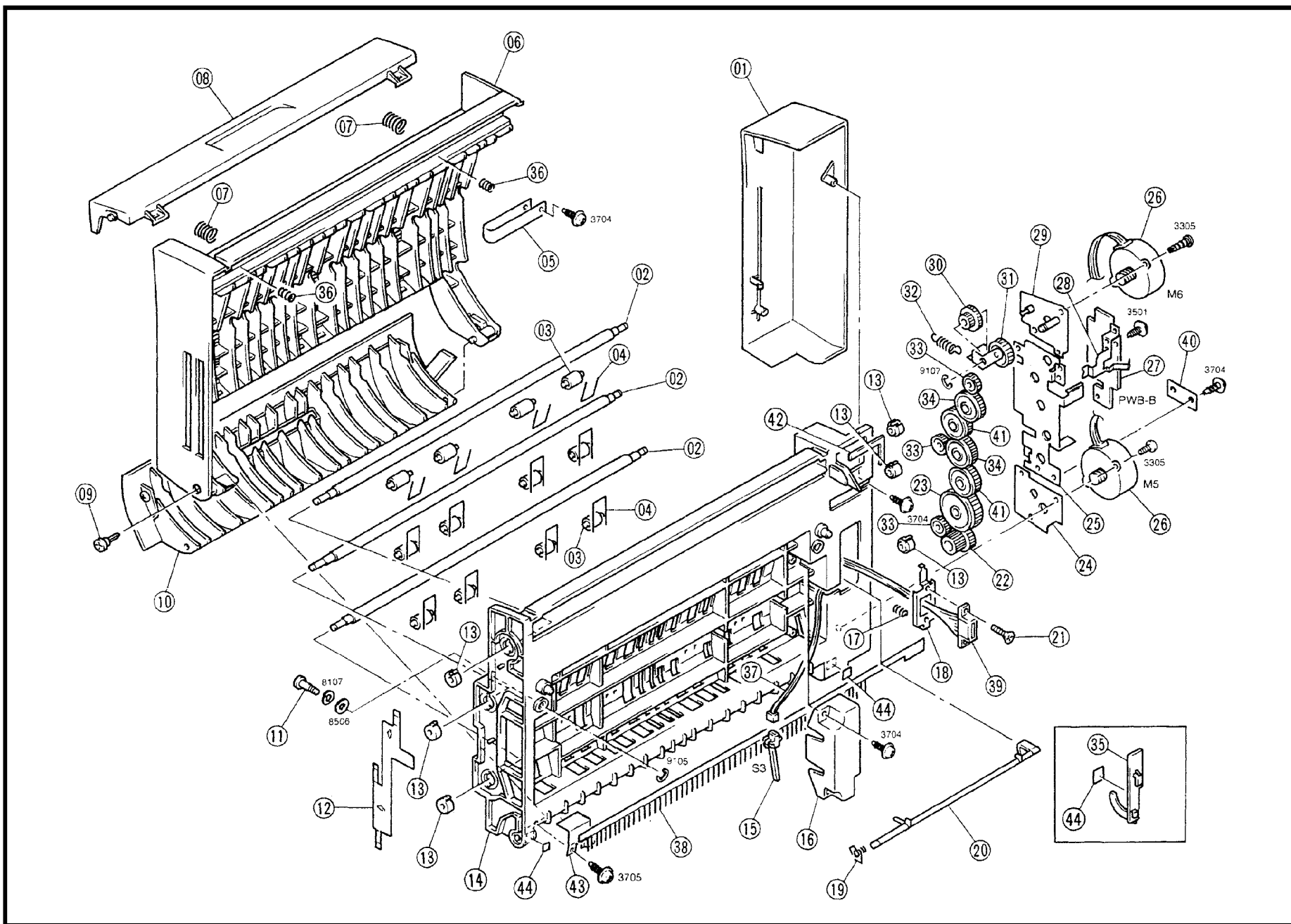
INDEX	ITEM #	PART NAME	(DISCRIPTION)	QTY	AREA	INDEX	ITEM #	PART NAME	(DISCRIPTION)	QTY	AREA
01AA	4156-3921-01	COVER-RT		1							
02AA	4156-3907-02	PAWL		1							
03AA	4156-3903-04	GUIDE-RT		1							
04AA	4156-3916-01	REGULATOR		2							
05AA	4156-3917-01	PRESSURE SPRING		2							
06AA	4156-0751-01	LIFTING PLATE		1							
07AA	4156-3904-03	GUIDE-LFT		1							
08AA	4156-3908-02	PAWL		1							
09AA	4156-3919-01	COVER-LFT		1							
10AA	4156-3901-03	CASSETTE BODY		1							
11AA	4156-3920-02	GROUND PLATE		1							
12AA	4156-3913-01	GEAR 14T		1							
13AA	4156-3909-01	RACK GEAR		2							
14AA	4156-3910-02	DETECTING PLATE		1							
15AA	4156-3915-01	COVER		1							
16AA	4156-3914-01	LID		1							
17AA	4156-3911-01	RACK GEAR		1							
18AA	4156-3918-03	COVER		1							
19AA	4156-3912-01	REGULATING PLATE		1							
20AA	4156-3906-03	LOCK LEVER		2							
21AA	4156-3922-01	REGULATOR		2							
22AA	4156-7301-01	LABEL		1							
23AA	4156-3927-01	LABEL SIZE	METRIC	1							
24AA	4156-3928-01	LABEL SIZE	INCH	1							



**PARTS LIST : 10. CASSETTE**

INDEX	ITEM #	PART NAME	(DISCRIPTION)	QTY	AREA	INDEX	ITEM #	PART NAME	(DISCRIPTION)	QTY	AREA
01AA	4156-0752-01	LIFTING PLATE		1							
02AA	0933-3907-01	PRESSURE SPRING		2							
03AA	4156-3714-01	PRESSURE SPRING		2							
04AA	4156-3704-01	REGULATING PLATE		1							
05AA	4156-3708-02	PAWL		1							
06AA	4156-3706-01	STOPPER		2							
07AA	4156-3701-04	CASSETTE BODY		1							
08AA	4156-3709-13	REGULATING PLATE		1							
09AA	4156-3710-02	DETECTING PLATE		1							
10AA	4156-3703-01	REGULATING PLATE		1							
11AA	4156-3707-02	PAWL		1							
12AA	4156-3722-12	GUIDE		2							
13AA	4156-3712-02	LOCK LEVER		1							
14AA	4156-3713-02	LOCK LEVER		1							
15AA	4156-3715-12	REGULATOR		2							
16AA	4156-7302-01	LABEL		1							

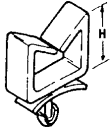
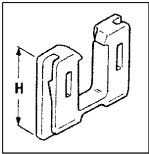
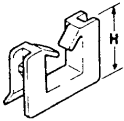




**PARTS LIST : 11. DUPLEX UNIT**







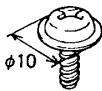
INDEX	ITEM #	PART NAME	(DISCRPTION)	QTY	AREA	INDEX	ITEM #	PART NAME	(DISCRPTION)	QTY	AREA
01AA	4157-3604-03	COVER		1		43AA	4157-3616-01	GROUND PLATE		1	
02AA	4157-3611-02	ROLLER		3		44AA	0807-7121-01	LABEL		4	
03AA	4157-3614-01	ROLL		12							
04AA	4157-3612-01	SPRING		12							
05AA	4157-3609-02	STOPPER		1							
06AA	4157-3602-01	COVER		1							
07AA	4157-3606-01	PRESSURE SPRING		2							
08AA	4157-3605-02	COVER		1							
09AA	4157-3615-01	SHOULDER SCREW		2							
10AA	4157-3603-03	COVER		1							
11AA	4157-3608-01	SHOULDER SCREW		2							
12AA	4157-3634-01	GROUND PLATE		1							
13AA	4157-3613-02	BUSHING		6							
14AA	4157-3601-02	BASE		1							
15AA	4157-6301-01	SWITCH	(S3)	1							
16AA	4157-3607-01	COVER		1							
17AA	4157-3619-01	PRESSURE SPRING		1							
18AA	4157-3638-01	BRACKET		1							
19AA	4157-3633-02	TORSION SPRING		1							
20AA	4157-3632-01	ACTUATOR		1							
21AA	0928-1018-01	SHOULDER SCREW		2							
22AA	4157-3622-01	GEAR 20/43T		1							
23AA	4157-3627-01	GEAR 46T		1							
24AA	4157-3636-02	HEAT-SINK		1							
25AA	4157-3631-01	HEAT-SINK		1							
26AA	4157-6101-01	MOTOR	(M5/6)	2							
27AA	4157-0101-02	PW BOARD-B(WITH IC)	(PWB-B)	1							
28AA	4157-3635-02	GROUND PLATE		1							
29AA	4157-0201-01	HEAT-SINK		1							
30AA	4157-3625-01	GEAR 11/38T		1							
31AA	4157-0202-01	GEAR 22T		1							
32AA	4157-3628-02	TENSION SPRING		1							
33AA	4157-3621-01	GEAR 20T		3							
34AA	4157-3623-01	GEAR 37T		2							
35AA	4157-3641-01	HOOK		2							
36AA	4157-3610-01	PRESSURE SPRING		2							
37AA	4157-6802-01	HARNESS		1							
38AA	4157-3618-01	NEUTRALIZING BRUSH		1							
39AA	4157-6803-02	HARNESS		1							
40AA	4157-3617-01	BRACKET		1							
41AA	4157-3620-01	GEAR 37T		2							
42AA	4157-3640-01	SEAL		1							





## 12. WIRING ACCESSORIES AND JIGS

ILLUSTRATION		
01		
02		
03		
04		

INDEX	ITEM #	PART NAME	(DISCRIPTION)	QTY	AREA
01AA	9384-1120-41	WIRING SADDLE 19.0H		1	
01BA	9384-1310-81	WIRING SADDLE 6.4H		18	
01CA	9384-1900-64	WIRING SADDLE 13.0H		1	
01DA	9384-1900-65	WIRING SADDLE 18.0H		5	
02AA	9384-2600-11	EDGE COVER 26H		1	
03AA	9384-2800-36	EDGE COVER 15H		4	
03BA	9384-2010-21	EDGE COVER 8.5H		1	

### 13. SCREWS AND WASHERS

INDEX	ITEM #	PART NAME	ILLUSTRATION
0508	9752201050	PIN	
1124	9642040821	SCREW	
1305	9646030613	SCREW	
1308	9646030813	SCREW	
1312	9646031613	SCREW	
1318	9646040813	SCREW	
3305	9732030813	TAPPING SCREW	
3405	9733-0310-13	TAPPING SCREW	
3410	9733-0408-13	TAPPING SCREW	
3435	9733-0330-13	TAPPING SCREW	
3501	9735030613	TAPPING SCREW	
3504	9735030813	TAPPING SCREW	
3505	9735031013	TAPPING SCREW	
3509	9735041013	TAPPING SCREW	
3519	9735031213	TAPPING SCREW	
3541	9735030814	TAPPING SCREW	
3701	9739040813	TAPPING SCREW	
3702	9739041013	TAPPING SCREW	
3704	9739030813	TAPPING SCREW	
3705	9739030613	TAPPING SCREW	
3709	9739031013	TAPPING SCREW	
3714	9739031213	TAPPING SCREW	

INDEX	ITEM #	PART NAME	ILLUSTRATION
4013	9743030613	TAPPING SCREW	
4302	9770030613	TAPPING SCREW	
8303	9712040013	WASHER	
9102	9721020001	RETAINING RING	
9105	9721030001	RETAINING RING	
9107	9721040001	RETAINING RING	
9109	9721050001	RETAINING RING	
9112	9721060001	RETAINING RING	



*Copyright*  
*1997 MINOLTA Co.,Ltd*  
*Printed in Japan*